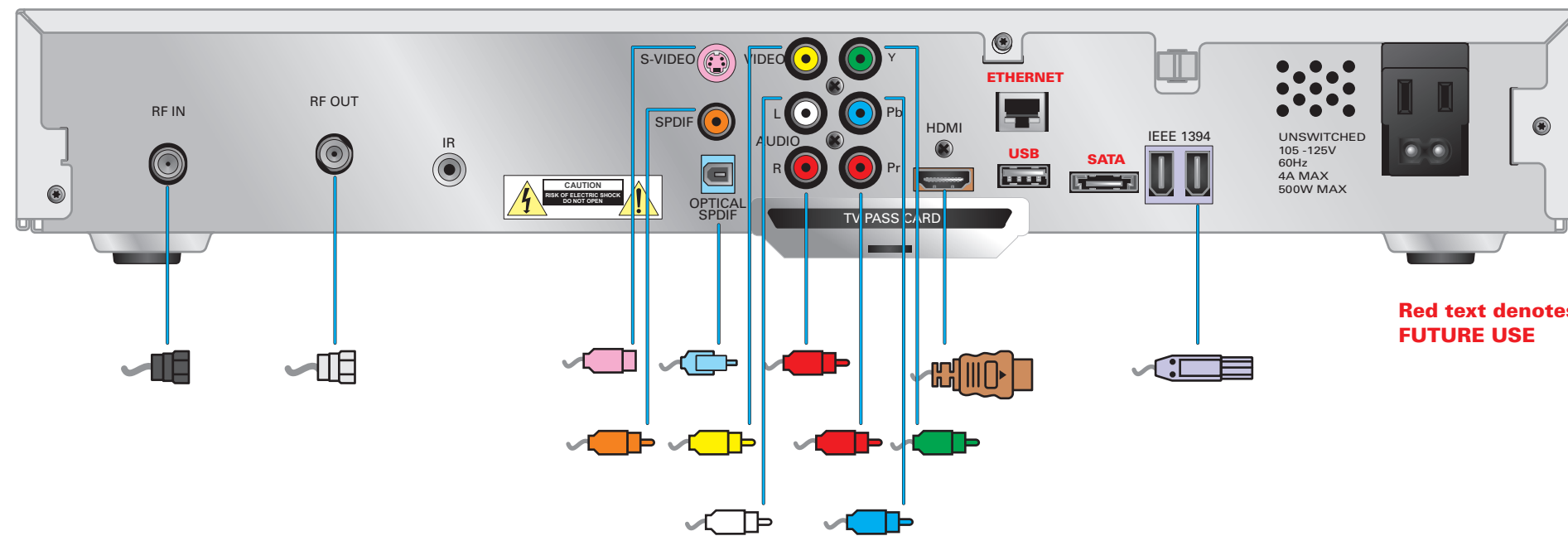


DCT3416 Quick Start Guide



Follow the cabling diagram below that best matches your home entertainment configuration. Refer to the DCT3416 User Guide at www.motorola.com/video/products for safety instructions and other detailed instructions.

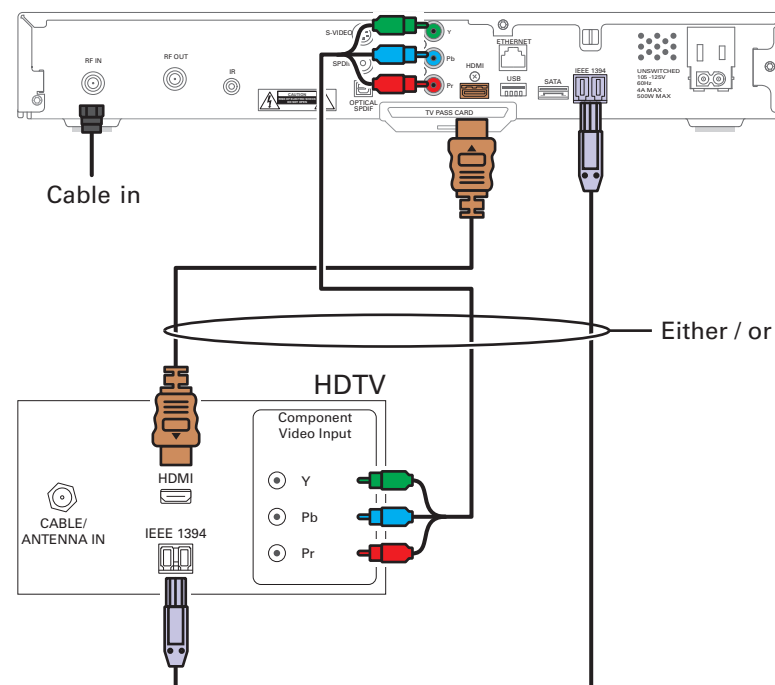
NOTE: Allow 2 inches of clearance around the DCT3416 for proper ventilation.



Red text denotes: FUTURE USE

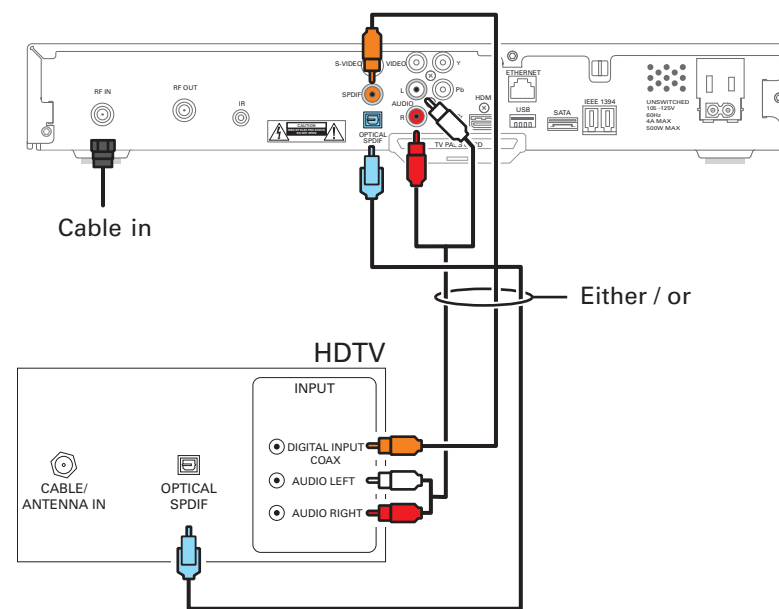
Connectors	
	RF IN
	RF OUT
	S-VIDEO
	SPDIF
	OPTICAL SPDIF
	VIDEO
	L AUDIO R
	Pr
	Pb
	Y
	HDMI
	IEEE 1394

Cabling to an HDTV



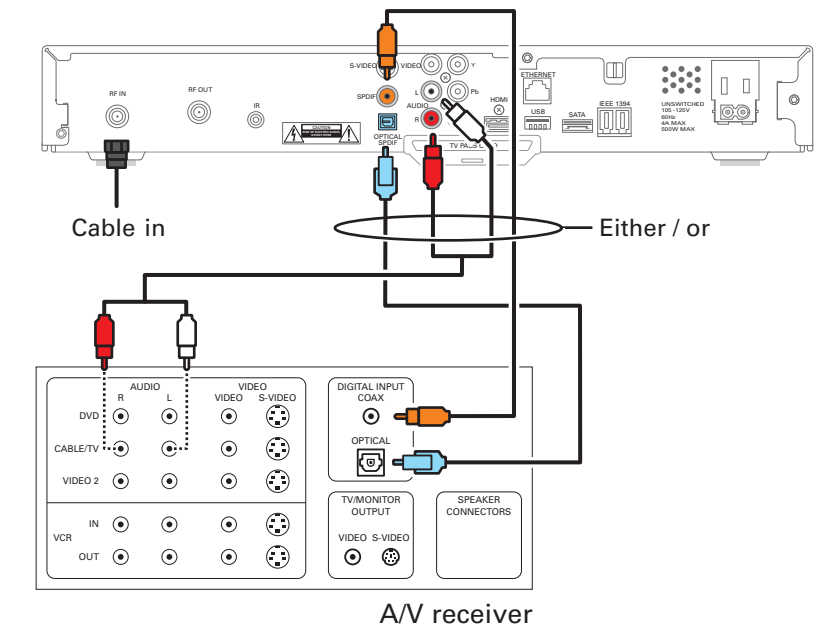
- Make sure you connect the coaxial cable securely. Either hand tighten or tighten with a quarter turn of a wrench. Too loose or too tight can cause problems.
- HDMI is the preferred connection if your HDTV has it. This combines digital video and audio.
- IEEE1394 is a digital connection for video and audio but does not support the Interactive Program Guide and Viewer menu system.
- Component Video (Red-Green-Blue) is an analog video connection that supports High-Definition video formats.

Cabling to an HDTV - Audio Only



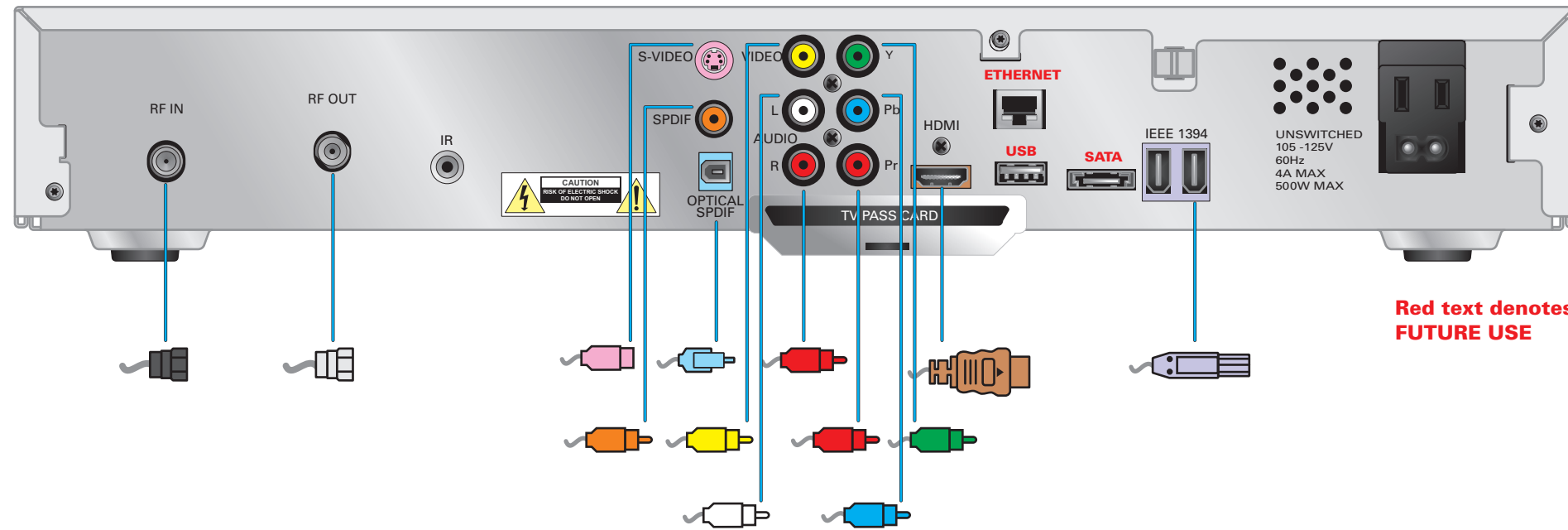
If you are not using the HDMI combination video/audio connector, the optical digital connector is the preferred audio connection if your entertainment system has it. Digital Coax input is next in the order of optimal performance. Stereo (red and white) connectors are the third choice and will not support Dolby Digital Surround sound.

Connecting to an A/V Receiver - Audio Only



If you are not using the HDMI combination video/audio connector, the optical digital connector is the preferred audio connection if your entertainment system has it. Digital Coax input is next in the order of optimal performance. Stereo (red and white) connectors are the third choice and will not support Dolby Digital Surround sound.

DCT3416 Quick Start Guide

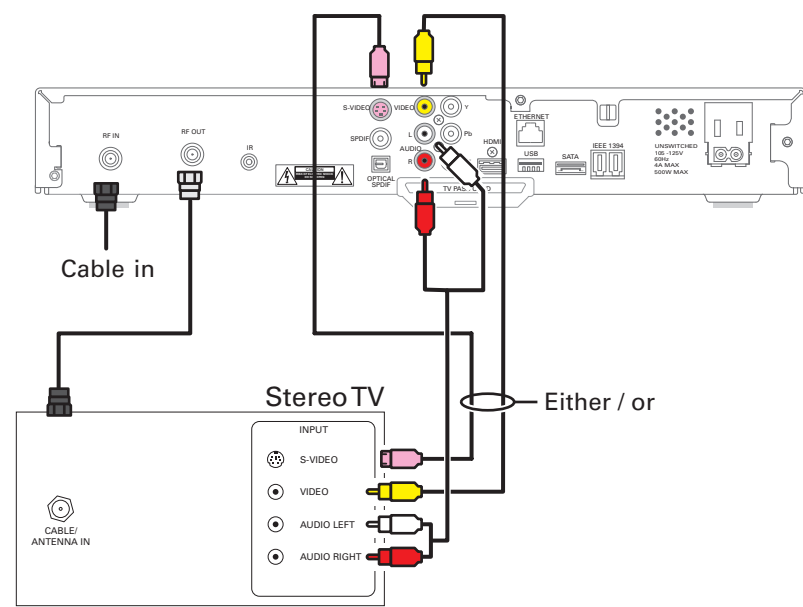


Red text denotes: FUTURE USE

Connectors

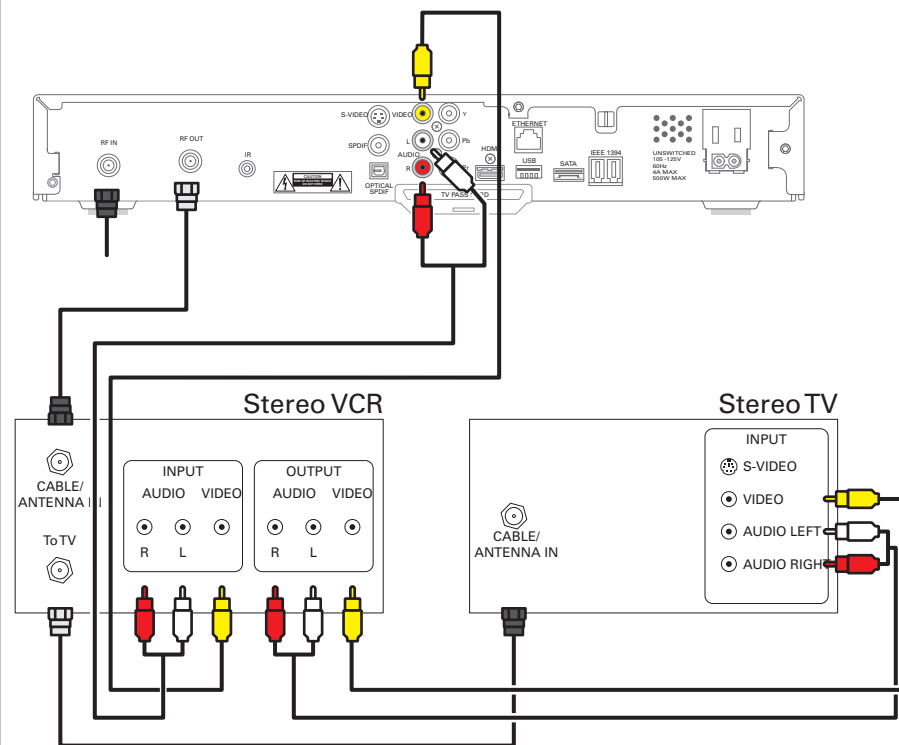
	RF IN		L AUDIO
	RF OUT		R
	S-VIDEO		Pr
	SPDIF		Pb
	OPTICAL SPDIF		Y
	VIDEO		HDMI
			IEEE 1394

Connecting a Stereo TV*



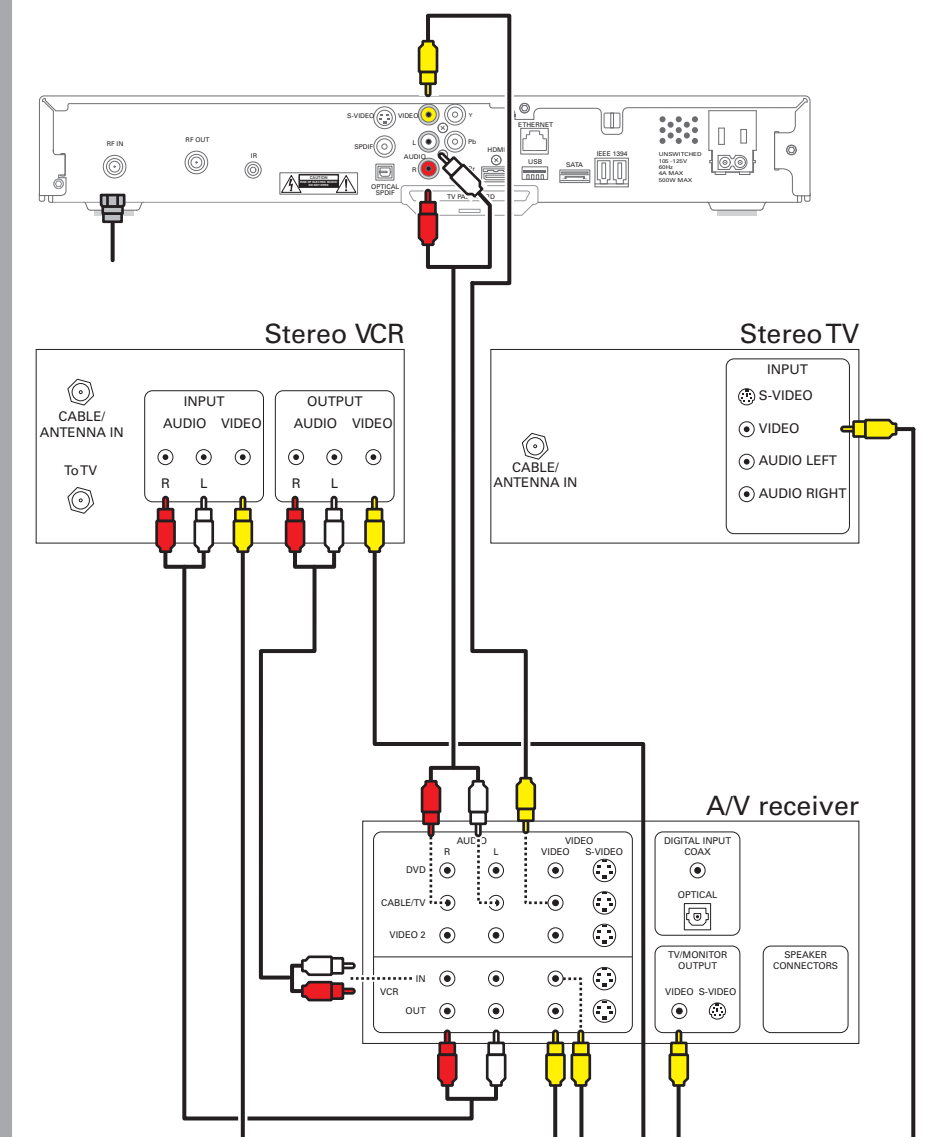
The preferred standard-definition video connection is S-Video.
The yellow composite video connector is the next preferred connection.
Neither of these video connections support High-Definition TV.
Red and white stereo connectors do not support Dolby Digital surround sound.

Connecting a Stereo TV and a Stereo VCR



HDTV and Digital Surround Sound are not supported in this configuration.

Connecting an A/V Receiver, TV, and VCR**



HDTV and Digital Surround Sound are not supported in this configuration.

*When connecting the video path, never connect stereo video and S-video at the same time.

** To play Dolby Digital 5.1 sound through the receiver, connect the DCT3416 to the receiver using the DIGITAL AUDIO COAX or DIGITAL AUDIO OPTICAL c connections.
Audio R and L connectors do not carry Dolby Digital 5.1. sound.